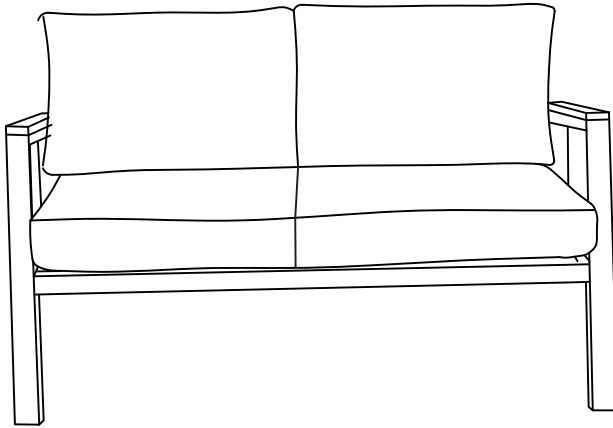


LIVING & CO[®]

PASADENA DOUBLE LOUNGE WITH CUSHION



L760xW1280xH750(MM)

INSTRUCTION MANUAL

The Maximum Weight this product can hold up to 120 kgs

Barcode: 9401063489350

AFTER SALES SUPPORT

 (NZ) 0800 422 274

Important Care and Maintenance

NOTE: Your furniture has already been factory treated with an oil preservative, however we do recommend after unpacking and assembling your furniture, you thoroughly wipe clean your furniture removing any dust particles, then lightly oil the furniture and let dry.

STEP 1. IMPORTANT. After oiling wipe off excess oil, then allow the oil to dry in the shade away from direct sunlight until dry, then wipe off again with a clean rag removing any excess oil that may not have penetrated into the timber. Remove any excess oil if necessary.

STEP 2. REPEAT THE ABOVE PROCEDURE IN 48HRS. Sanding is not required between these initial coats. Your furniture is now protected, however repeat applications of the hardwood timber oil may be required. Before re-oiling, check your furniture for any residue build up. If this occurs, a light sanding may be required.

Note: The frequency of oiling will vary according to the climatic conditions in your area and the exposure to the elements to which your furniture is subjected.

NOTE: If Eucalyptus furniture is neglected, with prolonged unprotected exposure to the elements, the timber will discolor to a silvery grey, and checking and hairline cracks may appear. In the event your setting does discolor, sanding and oiling will be required to restore the timber. We recommend the furniture be stored undercover during wintertime and wet seasons.

NOTE: •WET TIMBER MUST BE DRIED FOR 3-5 DAYS BEFORE OILING.
DO NOT OIL THE FURNITURE LATE IN THE DAY WHEN DEW OR CONDENSATION IS LIKELY TO FORM OR WHEN RAIN IS THREATENING.
•ALL TIMBER FURNITURE GOES THROUGH A SETTLING IN PERIOD.
FASTENERS MUST BE TIGHTENED REGULARLY. DO NOT LEAVE FASTENERS UNTIGHTENED AS THIS COULD CAUSE FURNITURE DAMAGE.

Cushion Care instruction

To ensure the longevity of this product, it is recommended that it is not left permanently exposed to the elements.

- * Wash separately
- * Gentle machine wash - cold
- * Do not soak or bleach line dry in shade
- * Do not tumble dry cool
- * Iron if required on reverse side
- * Do not dry clean

Important Care and Maintenance

Eucalyptus timber is kiln dried under strict guidelines. After purchasing your furniture, small hairline cracks may appear. This is a normal part of the drying process of this particular timber species. These cracks will not affect the durability of the furniture. 3% shrinkage may occur in this species of timber.

WARNING: Staining on Tuscan or light-colored pavers may occur from sap leeching and dust particles if the timber is not cleaned properly and weathered correctly. Hose down your furniture, and clean thoroughly before placing your furniture on light-colored pavers.

- We recommend storing furniture under cover, out of direct sunlight and using furniture covers when not in use and for protection during the winter months.

Assembly Details

10min



***FloorArea
5x5meters***



***Approximate
AssemblyTime***

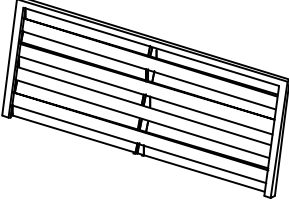
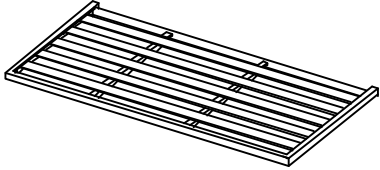
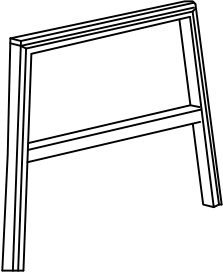
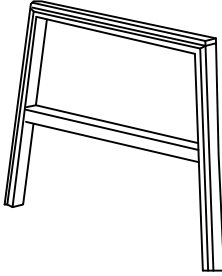
***2Persons
Assembly***





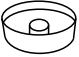
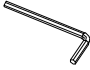


***Required
AssemblySpace***

Tip before you start

1. Please check that all parts are present before you start the assembly of your furniture.
2. For ease and speed of assembly, we recommend that before you commence each step of the assembly, that you identify all the parts required for that step.
3. For larger items, please ensure that you have sufficient space and people (as indicated on page 1) to assemble your product safely.
4. We recommend that, where possible, all items are assembled near to the area in which they will be placed in use, to avoid moving the product unnecessarily once assembled.
5. For the protection of your furniture, we recommend that the product is placed on a protected surface during assembly to prevent any damage.
6. During assembly please take care not to over-tighten any fittings, as this may damage the product. Do not use power tools.
7. Always place the product on a flat, steady and stable surface.
8. Do not stand on the product. Do not use the product as a stepladder.
9. This product is intended household use only as it is a non-industrial product.
10. Please use caution and care when lifting the product to avoid personal injury and/or product damage.

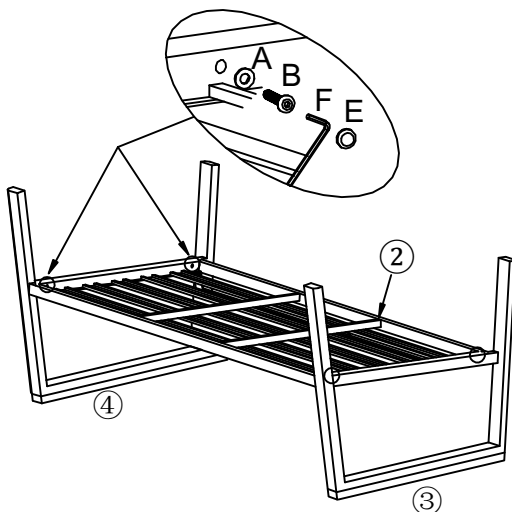
Part Name

1	BACKx1 	2	SEATx1 
3	LEFT ARMx1 	4	RIGHT ARMx1 

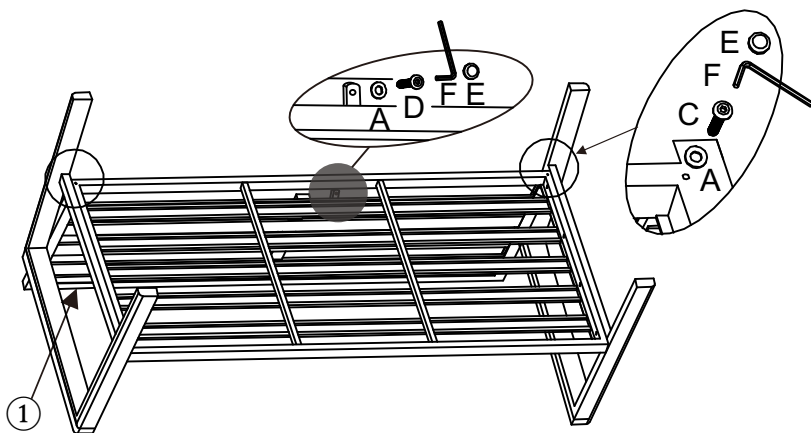
<p>A. WASHERS 6.5x14x1.5(mm)</p>  <p>9PCS</p>	<p>B. BOLT M6x35</p>  <p>6PCS</p>	<p>C. BOLT M6x55</p>  <p>2PCS</p>	<p>D. BOLT M6x20</p>  <p>1PCS</p>
<p>E. PLASTIC CAP 14x5.1(mm)</p>  <p>9PCS</p>	<p>F. WRENCH 4#</p>  <p>1PCS</p>	<p>G. BACK CUSHION</p>  <p>2PCS</p>	<p>H. SEAT CUSHION</p>  <p>2PCS</p>

Assembly

STEP 1:

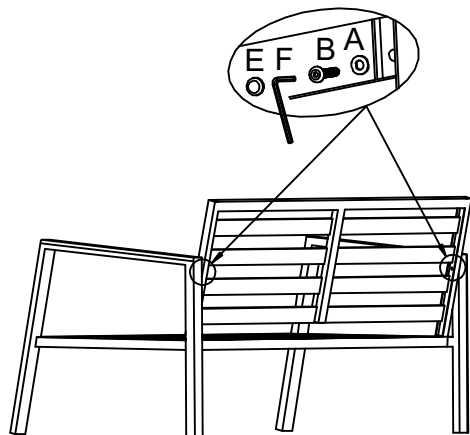


STEP 2:

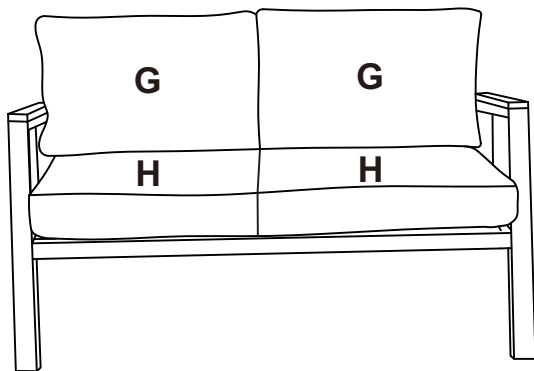


Assembly

STEP 3:



ASSEMBLY IS COMPLETE





LIVING & CO[®]

Warranty

We pride ourselves on producing a range of quality products that are both packed with features and completely reliable. We are so confident in our products, we back them up with a **2**-year warranty. Now you too can relax knowing that you are covered.

Customer Helpline NZ: 0800 422 274
This Product is covered by **2**-year warranty when accompanied by proof of purchase.